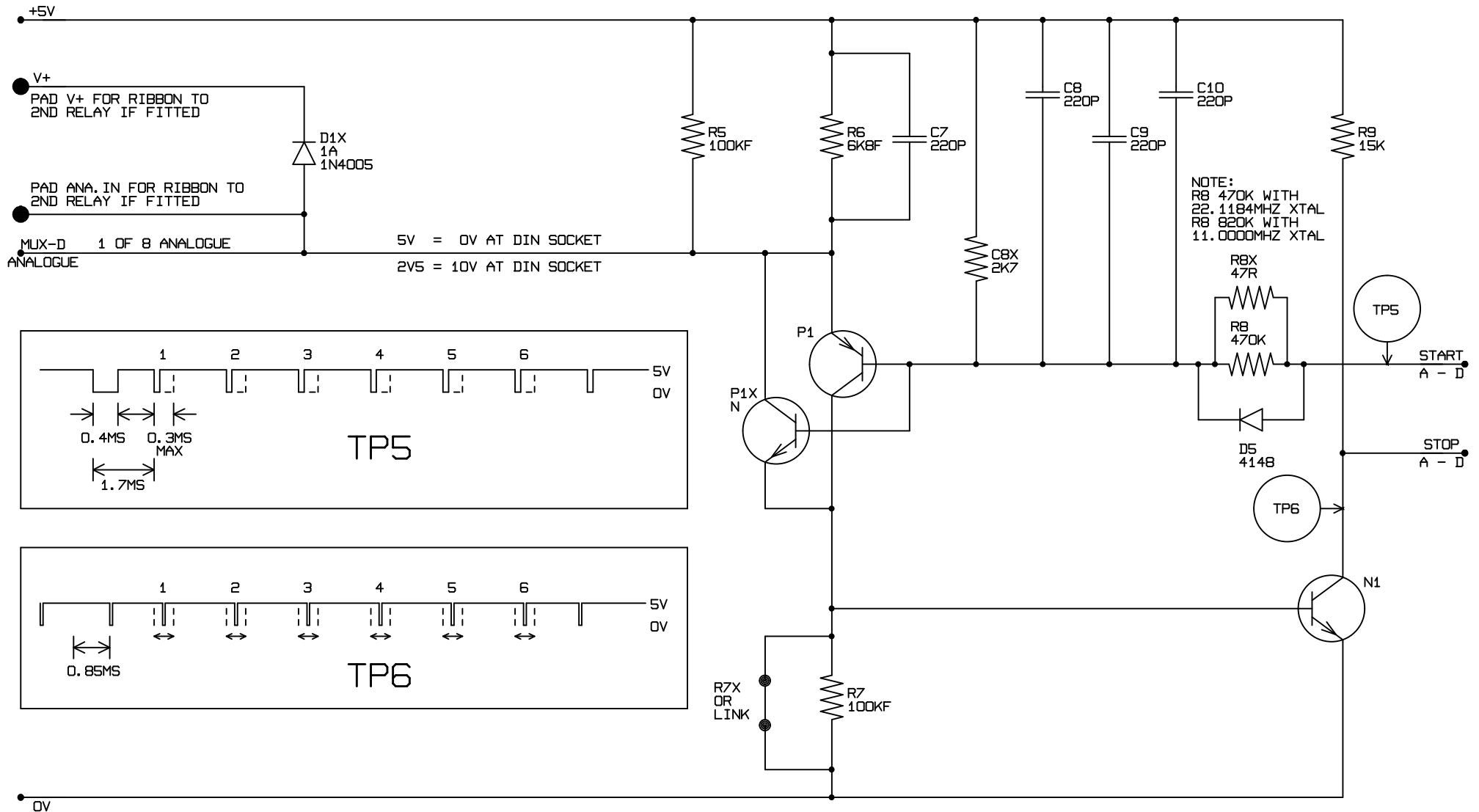


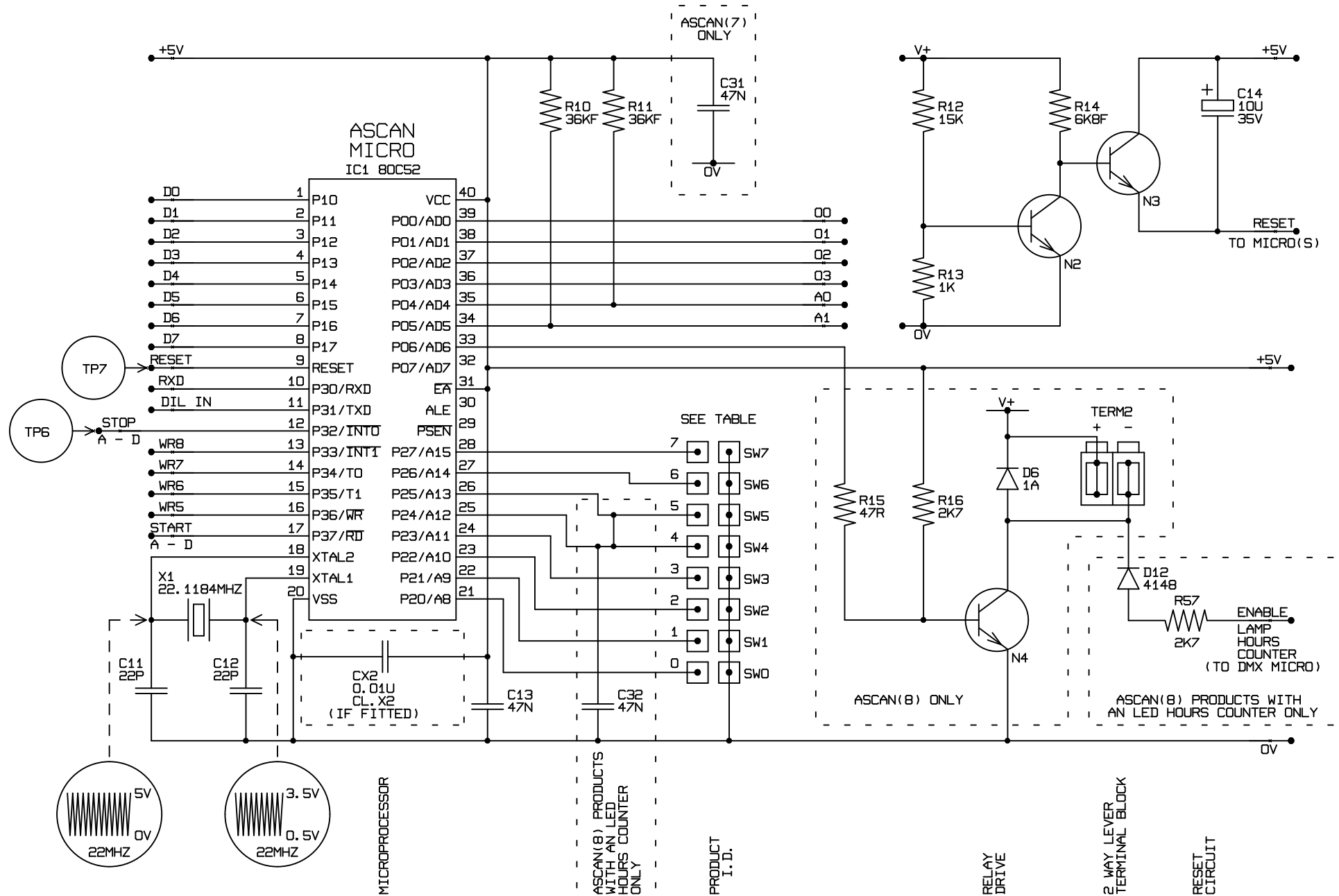
FROM SERIAL NO. TO

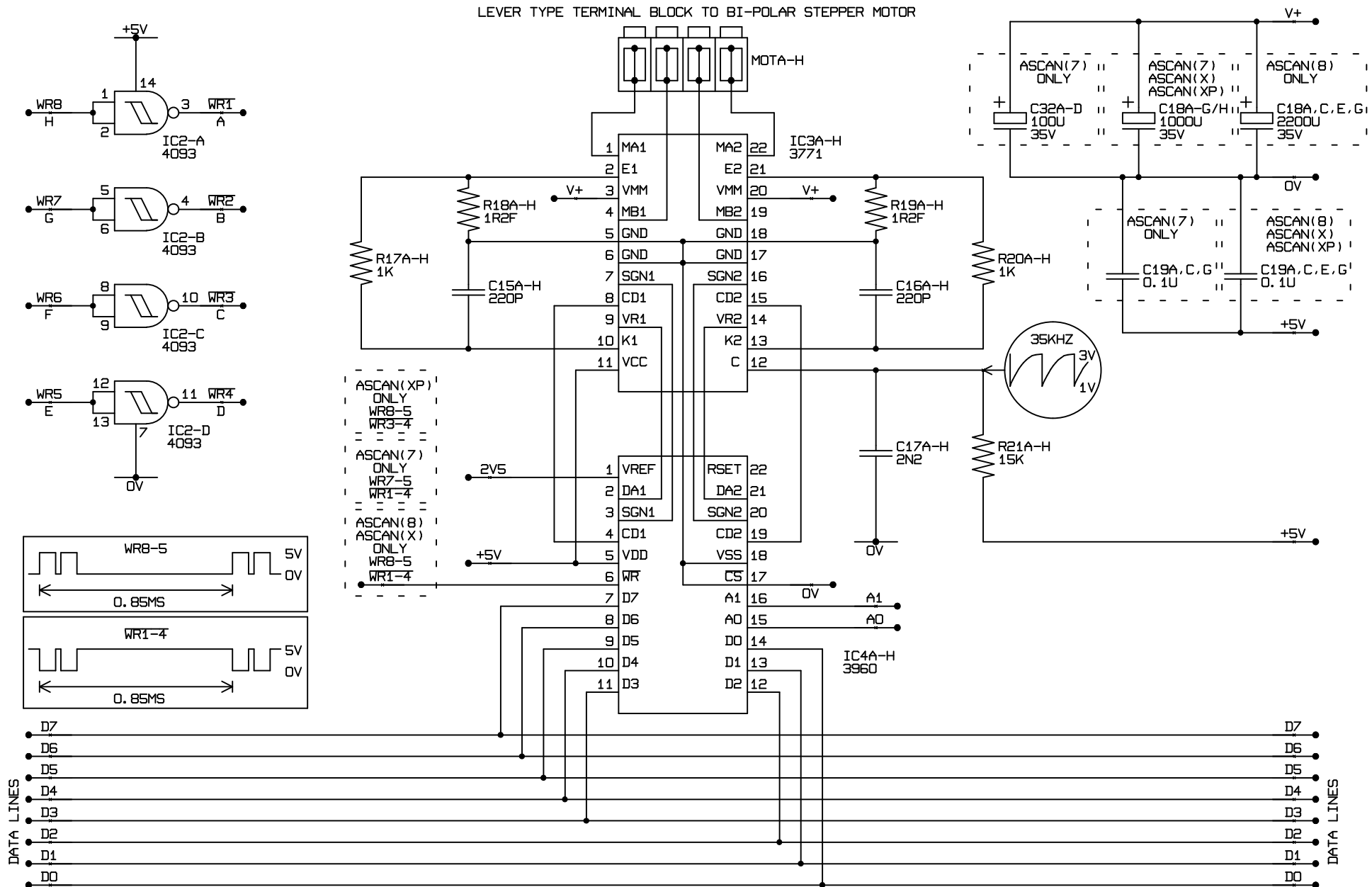


NOTE:

NONE OF THESE COMPONENTS ARE NEEDED IF THE PROJECTOR DOES NOT HAVE A 0-10V ANALOGUE INPUT

ASCAN(XP) NEVER HAS AN ANALOGUE INPUT SO "X" COMPONENTS ONLY ARE FITTED IN VERSIONS WITH A 2ND RELAY
 IE. C8->CBX 2K7, P1->P1X N, R7->R7X OR, R8->R8X 47R & D1X=1A DIODE ACROSS RIBBON PADS V+ & ANA.IN



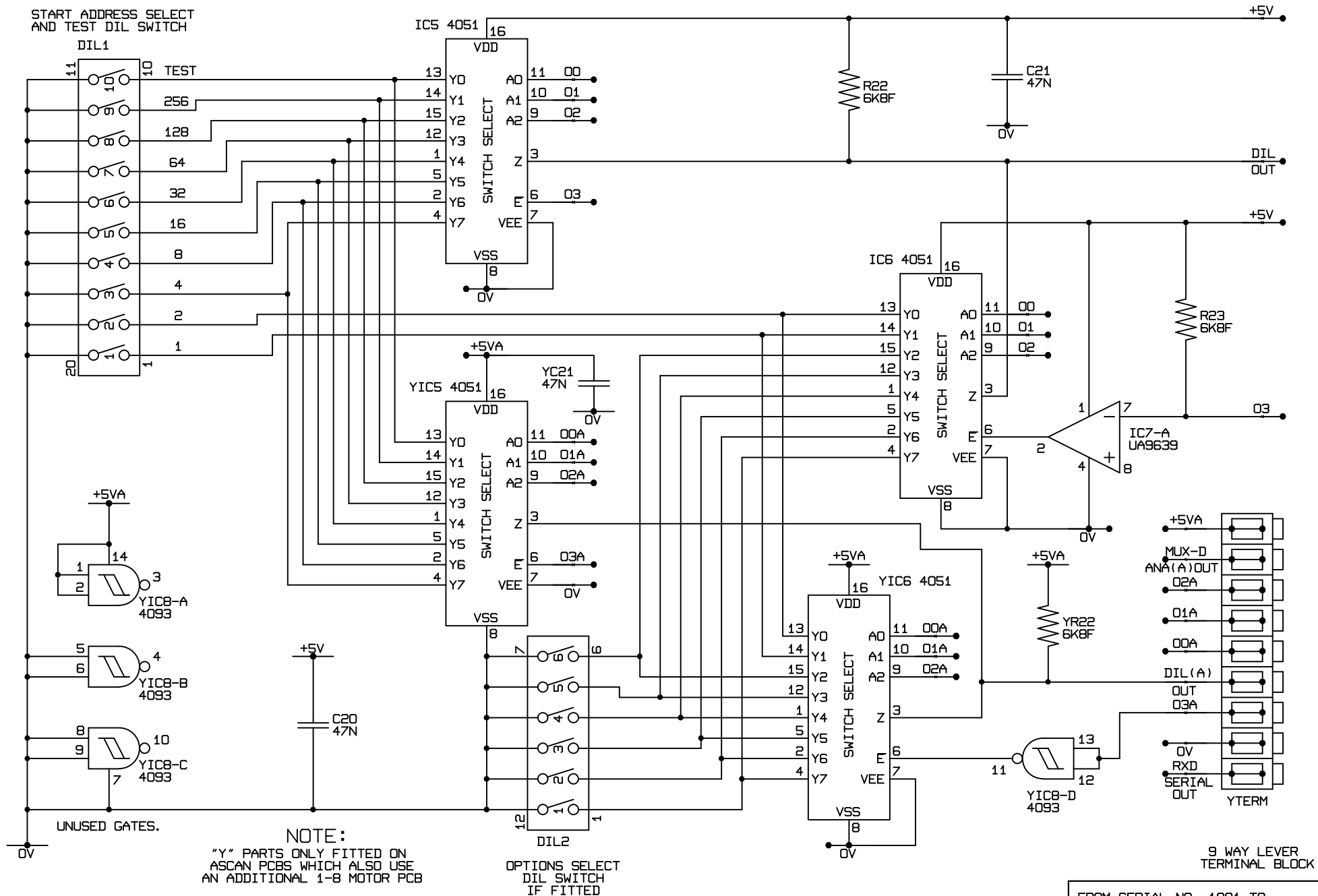


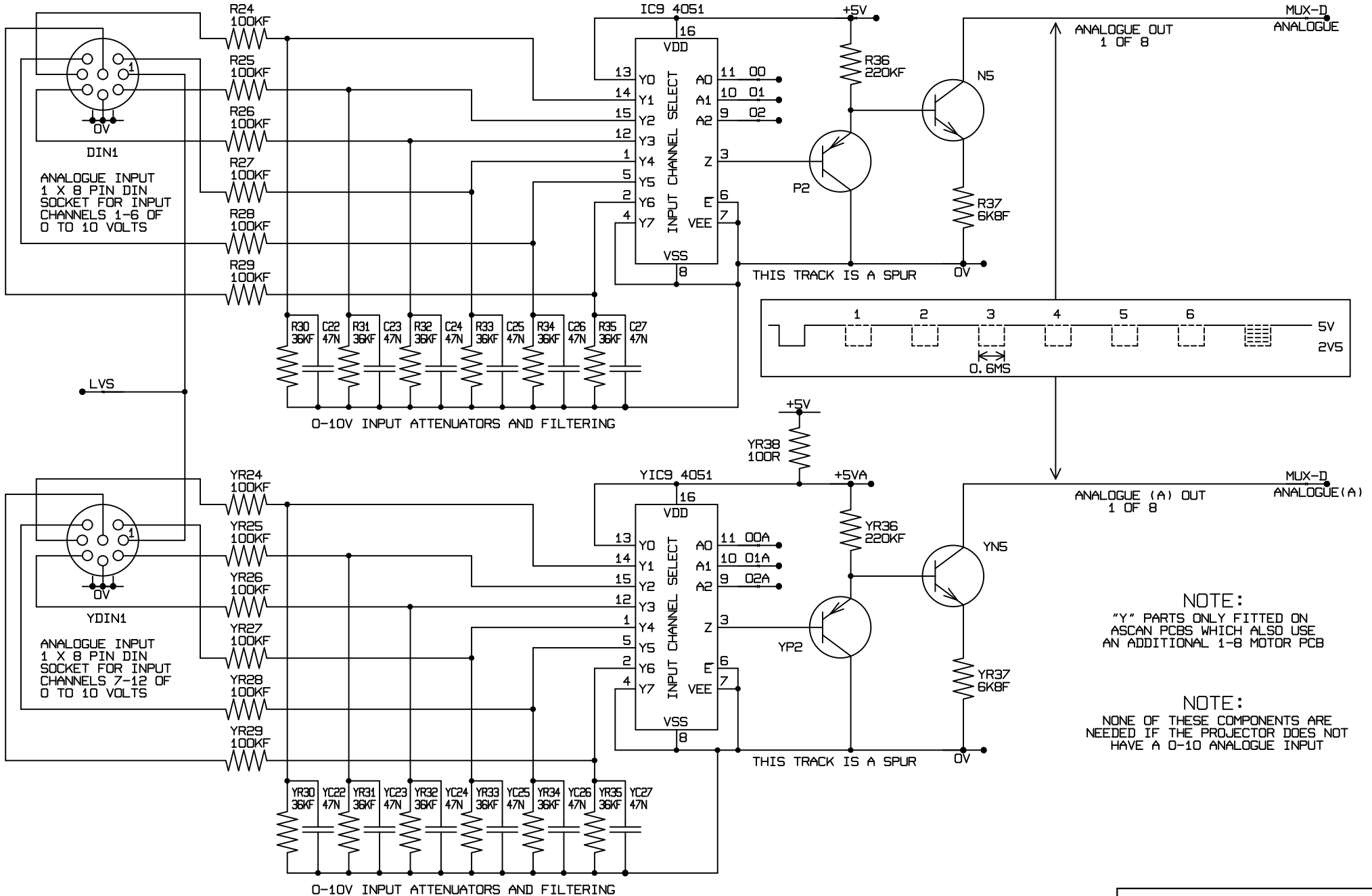
THIS CIRCUIT REPEATS 1-7/8 TIMES FOR MOTORS A-G/H IN ASCAN(7)/(8)/(X)
 THIS CIRCUIT REPEATS 1-6 TIMES FOR MOTORS C-H IN ASCAN(XP)

FROM SERIAL NO. 1001 TO

DATA LINES

DATA LINES



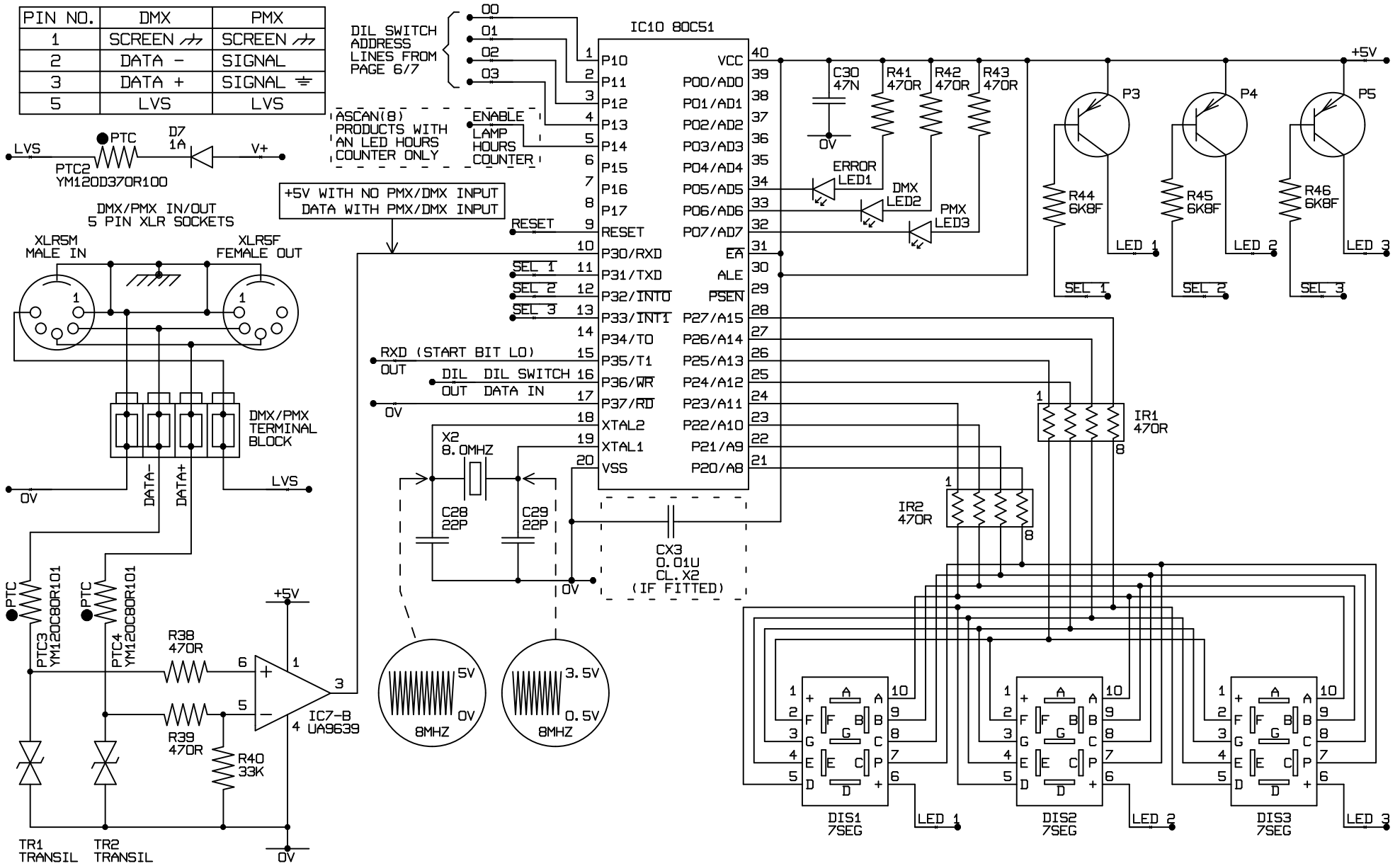


PIN NO.	DMX	PMX
1	SCREEN ↗	SCREEN ↗
2	DATA -	SIGNAL
3	DATA +	SIGNAL
5	LVS	LVS

DIL SWITCH ADDRESS LINES FROM PAGE 6/7

ASCAN(8) PRODUCTS WITH AN LED HOURS COUNTER ONLY

ENABLE LAMP HOURS COUNTER



DMX/PMX INPUT STAGE

DMX/PMX RECEIVER

ASCAN(8)

Products	Period of usage	Solder pads configuration	Latest software version	Notes	Code
Tiger Scan	since 1996 to now	○ 567	ASCAN 6.2 - 01/07/03	6 drivers only	699052/004
Golden Scan 3	since 1996 to now	4 ○○○			699078
Astroscan	since 1996 to now	456 ○ (with rot. mirror) ○○ 6 ○ (with GS3 mirror)			699076
Golden Scan HPE	since 1996 to now	4 ○ 6 ○		6 drivers only	inexistent
Stage Scan	since 1996 to now	○ 5 ○○			inexistent
Super Scan Zoom	since 1996 to now	4 ○○○ 7			inexistent